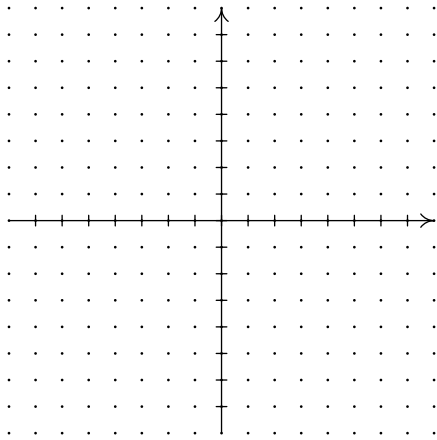


Graph each of the following functions, and state the domain and range.

$$y = 3x + 4$$

Domain: _____

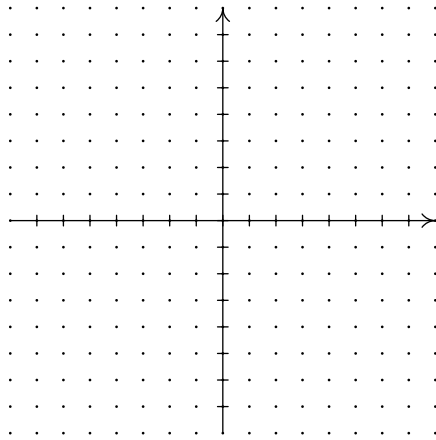
Range: _____



$$y = -x + 3 \text{ if } x \geq 4$$

Domain: _____

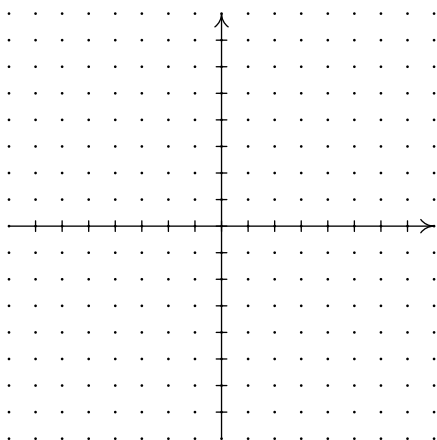
Range: _____



$$y = \frac{2x}{3} + 3 \text{ if } -3 \leq x \leq 1$$

Domain: _____

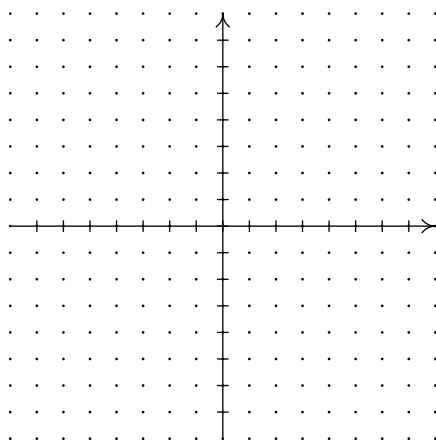
Range: _____



$$y = \begin{cases} 3x - 2 & \text{if } 0 < x \leq 1 \\ -2x - 2 & \text{if } -2 \leq x < 0 \end{cases}$$

Domain: _____

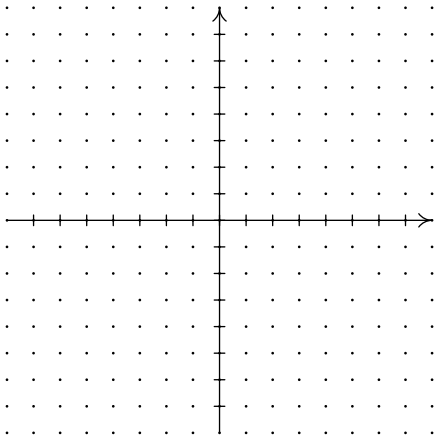
Range: _____



$$y = \begin{cases} 2x - 5 & \text{if } 2 \leq x \leq 5 \\ \frac{x}{2} + 1 & \text{if } -2 \leq x < 2 \end{cases}$$

Domain: _____

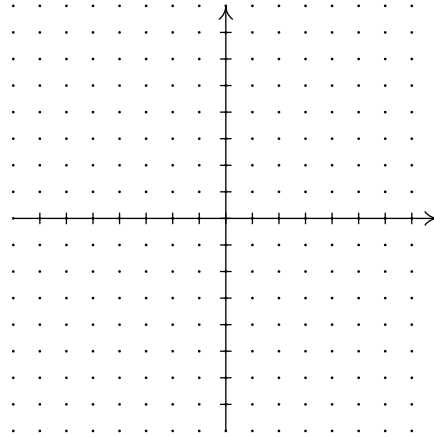
Range: _____



$$y = |x + 2| + 2$$

Domain: _____

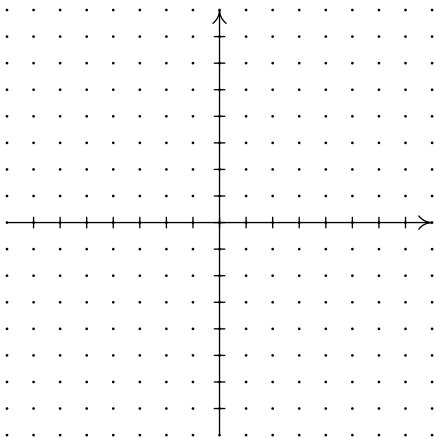
Range: _____



$$y = -|3x|$$

Domain: _____

Range: _____



$$y = |2x - 6| + 2$$

Domain: _____

Range: _____

