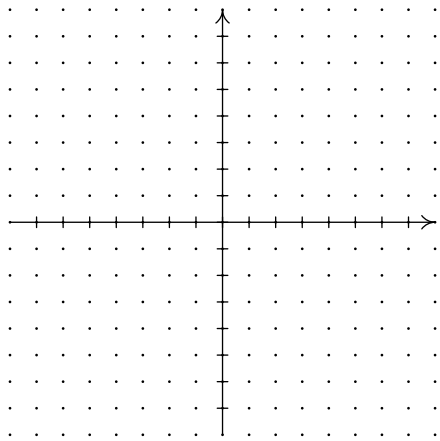


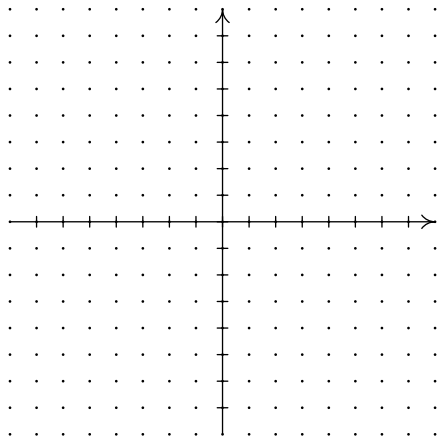
For each of the following functions, first rewrite the function as a piecewise function, and then graph it.



$$y = |3x| = \left\{ \right.$$

Domain: _____

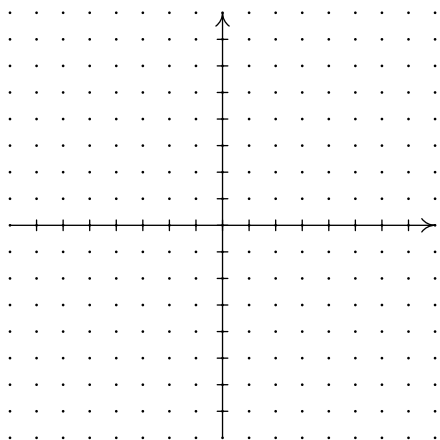
Range: _____



$$y = |-4x| = \left\{ \right.$$

Domain: _____

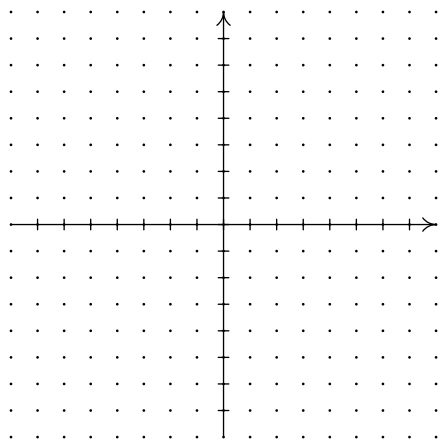
Range: _____



$$y = |2x - 6| = \left\{ \right.$$

Domain: _____

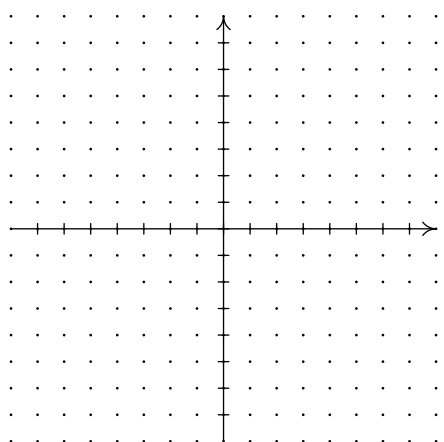
Range: _____



$$y = |4x + 8| = \left\{ \right.$$

Domain: _____

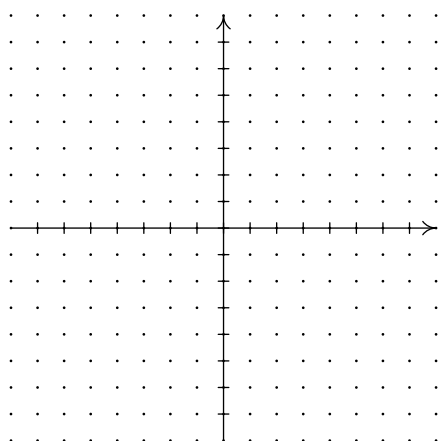
Range: _____



$$y = |2x| - 4 = \left\{ \right.$$

Domain: _____

Range: _____



$$y = |-x| + 3 = \left\{ \right.$$

Domain: _____

Range: _____